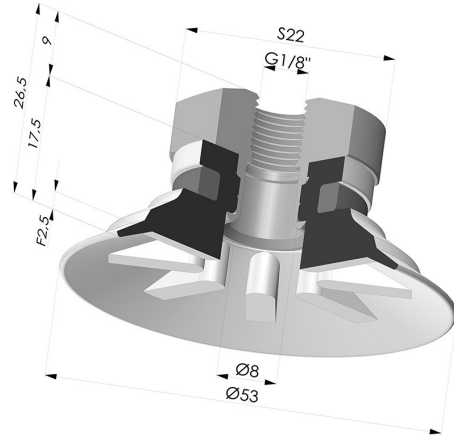


**TECHNICAL INFORMATION**

<b>Arrow :</b>	2.5 mm
<b>Category :</b>	Plates
<b>Contact lip diameter :</b>	53
<b>Height (in mm) :</b>	26.5
<b>Horizontal force :</b>	96 N
<b>inner barrel diameter :</b>	G1/8
<b>Number of bellows :</b>	0.5 Bellows
<b>Range :</b>	Suction cup
<b>Series :</b>	90
<b>Shape :</b>	Plate
<b>Vertical force :</b>	48 N

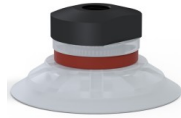


**Variants:**



Variant reference:  
**90 50SL 18D-2**

- Color: Red food-grade CE certification
- Matter: Silicone
- Shore Hardness: SH60



Variant reference:  
**90 50SLT 18D-2**

- Color: Translucent
- CE food certified
- Matter: Silicone
- Shore Hardness: SH60



Variant reference:  
**90 50NI 18D-2**

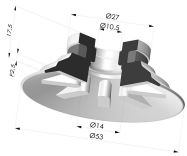
- Color: Black
- Matter: Nitrile
- Shore Hardness: SH50



Variant reference:  
**90 50TPU 18D-2**

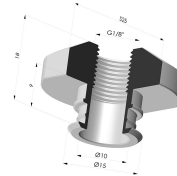
- Color: Translucent
- Matter: Thermoplastic
- Shore Hardness: SH70

**Related products:**



**Flat Suction Cup Series 90, Ø 50 mm**

Product reference: 90 50-- A



**Separable Female Fitting 1/8G**

Product reference: 9G18-2