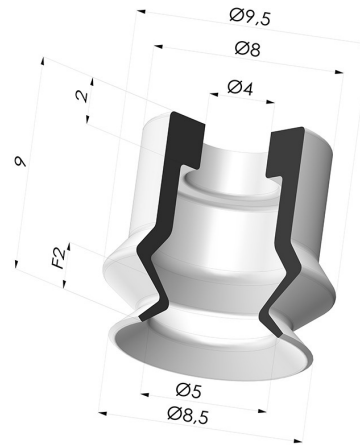
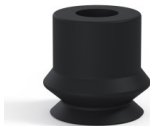


**TECHNICAL INFORMATION**

<b>Arrow :</b>	2 mm
<b>Category :</b>	With bellows
<b>Contact lip diameter :</b>	8.4 mm
<b>Height (in mm) :</b>	9
<b>Horizontal force :</b>	2.5 N
<b>inner barrel diameter :</b>	4mm
<b>Number of bellows :</b>	1.5 Bellows
<b>Range :</b>	Suction cup
<b>Series :</b>	PJG
<b>Shape :</b>	1.5 Bellows
<b>Vertical force :</b>	1.7 N



**Variants:**



Variant reference:

**PJG 08NI A**

- Color: Black
- Matter: Nitrile
- Shore Hardness: SH50



Variant reference:

**PJG 08SLT A**

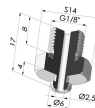
- Color: Translucent
- CE food certified
- Matter: Silicone
- Shore Hardness: SH60

**Related products:**



**Separable Female Fitting 1/8G**

Product reference: FTF 5A G1/8



**Separable Male Fitting 1/8G**

Product reference: FTM 5A G1/8



**Separable Male Fitting M5**

Product reference: FTM 5A M5