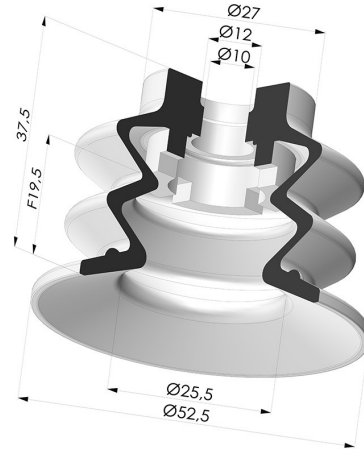


TECHNICAL INFORMATION

- Arrow :** 19.5 mm
Category : With bellows
Contact lip diameter : 52 mm
Height (in mm) : 37.5
Horizontal force : 92 N
inner barrel diameter : 10mm
Number of bellows : 2.5 Bellows
Range : Suction cup
Series : 96
Shape : 2.5 Bellows
Vertical force : 46 N



Variants:



Variant reference:
96 52SL A

- Color: Red food-grade CE certification
- Matter: Silicone
- Shore Hardness: SH60



Variant reference:
96 52SLT A

- Color: Translucent
- CE food certified
- Matter: Silicone
- Shore Hardness: SH60



Variant reference:
96 35NI M18D-4

- Color: Black
- Matter: Nitrile
- Shore Hardness: SH50



Variant reference:
96 35NR M18D-4

- Color: Gray
- Matter: Natural rubber
- Shore Hardness: SH50

Related products:

Bellows Suction Cup 2.5 folds Series 96, Ø 52 mm
 Product reference: 96 52-- 14D-2

Bellows Suction Cup 2.5 folds Series 96, Ø 52 mm
 Product reference: 96 52-- 14D-2-F

Bellows Suction Cup 2.5 folds Series 96, Ø 52 mm
 Product reference: 96 52-- 14D-2-GIC

Bellows Suction Cup 2.5 folds Series 96, Ø 52 mm
 Product reference: 96 52-- 18D-2

Bellows Suction Cup 2.5 folds Series 96, Ø 52 mm
 Product reference: 96 52-- 18D-2-F

Bellows Suction Cup 2.5 folds Series 96, Ø 52 mm
 Product reference: 96 52-- 18D-2-GIC

Bellows Suction Cup 2.5 folds Series 96, Ø 52 mm
 Product reference: 96 52-- 18D-3-BD

Bellows Suction Cup 2.5 folds Series 96, Ø 52 mm
 Product reference: 96 52-- 38D-2

Bellows Suction Cup 2.5 folds Series 96, Ø 52 mm
 Product reference: 96 52-- 38D-2-F

Bellows Suction Cup 2.5 folds Series 96, Ø 52 mm
 Product reference: 96 52-- 38D-2-GIC