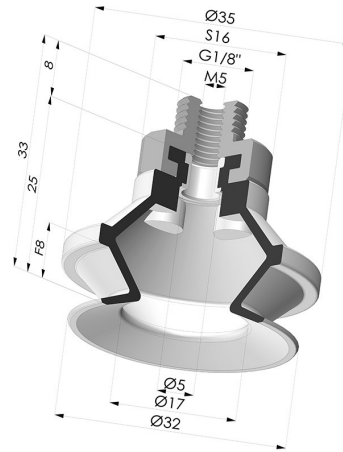


**TECHNICAL INFORMATION**

<b>Arrow :</b>	8 mm
<b>Category :</b>	With bellows
<b>Contact lip diameter :</b>	31.8 mm
<b>Height (in mm) :</b>	33
<b>Horizontal force :</b>	31 N
<b>inner barrel diameter :</b>	Male G1/8"
<b>Number of bellows :</b>	1.5 Bellows
<b>Range :</b>	Suction cup
<b>Series :</b>	91
<b>Shape :</b>	1.5 Bellows
<b>Vertical force :</b>	15.5 N



**Variants:**



Variant reference:  
**91 30SL M18**

- Color: Red food-grade CE certification
  - Matter: Silicone
  - Shore Hardness: SH60



Variant reference:  
**91 30SLT M18**

- Color: Translucent
  - CE food certified
  - Matter: Silicone
- Shore Hardness: SH60



Variant reference:  
**91 30NI M18**

- Color: Black
  - Matter: Nitrile
- Shore Hardness: SH50

**Related products:**

**Bellows Suction Cup 1.5 folds Series 91, Ø 30 mm**  
 Product reference: 91 30-- A

**Check Valve for Fitting 9P18A**  
 Product reference: PAL 9P18A

**Rivet for Fitting 9P18A - Aluminium**  
 Product reference: 9P18A RIV