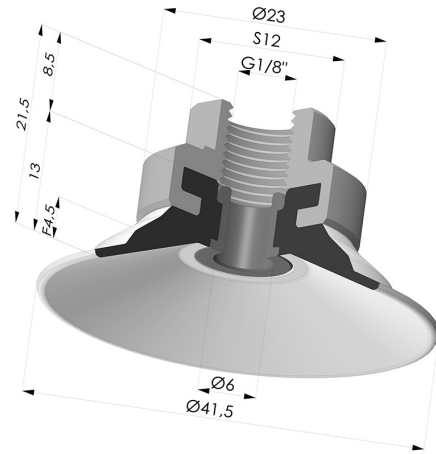


TECHNICAL INFORMATION

Arrow :	4.5 mm
Category :	Plates
Contact lip diameter :	41.5 mm
Height (in mm) :	21.5
Horizontal force :	57.5 N
inner barrel diameter :	Female G1/8"
Number of bellows :	0.5 Bellows
Range :	Suction cup
Series :	9
Shape :	Plate
Vertical force :	29 N



Variants:



Variant reference:
9 30NI 18

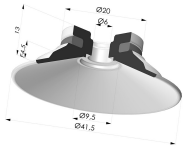
- Color: Black
- Matter: Nitrile
- Shore Hardness: SH50



Variant reference:
9 40SL F18

- Color: Red food-grade CE certification
- Matter: Silicone
- Shore Hardness: SH60

Related products:



Flat Suction Cup Series 9, Ø 40 mm

Product reference: 9 40-- A



Crimped Female Fitting 1/8G

Product reference: 9M18A



Rivet for Fitting 9M18A - Aluminium

Product reference: 9M18A RIV