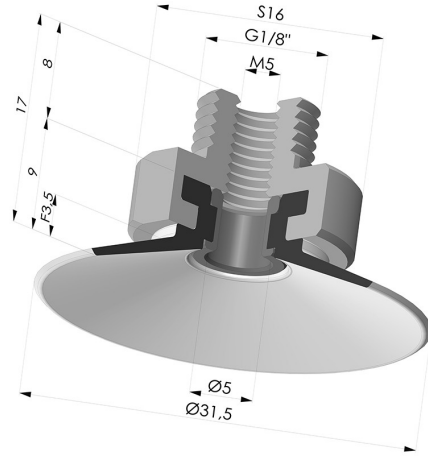


TECHNICAL INFORMATION

Arrow :	3.5 mm
Category :	Plates
Contact lip diameter :	31.5 mm
Height (in mm) :	17
Horizontal force :	32 N
inner barrel diameter :	Male G1/8"
Number of bellows :	0.5 Bellows
Range :	Suction cup
Series :	9
Shape :	Plate
Vertical force :	16 N



Variants:



Variant reference:

9 30NI M18

- Color: Black
- Matter: Nitrile
- Shore Hardness: SH50

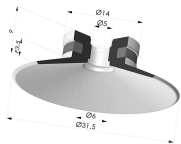


Variant reference:

9 30SL M18

- Color: Red food-grade CE certification
- Matter: Silicone
- Shore Hardness: SH60

Related products:



Flat Suction Cup Series 9, Ø 30 mm

Product reference: 9 30-- A



Crimped Male Fitting 1/8G

Product reference: 9P18A



Rivet for Fitting 9P18A - Aluminium

Product reference: 9P18A RIV