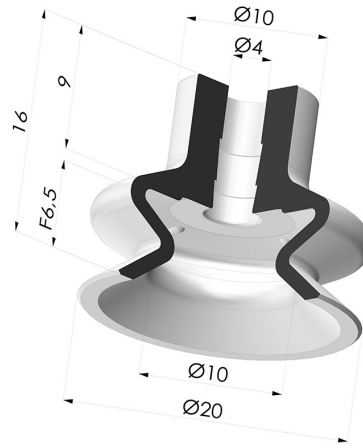


TECHNICAL INFORMATION

Arrow :	6.5 mm
Category :	With bellows
Contact lip diameter :	19.7 mm
Height (in mm) :	16
Horizontal force :	14 N
inner barrel diameter :	4 mm
Mass :	1.60 g
Number of bellows :	1.5 Bellows
Range :	Suction cup
Series :	1
Shape :	1.5 Bellows
Vertical force :	7 N
Volume :	0.97 cm ³



Variants:



Variant reference:
1 20MNT A

- Color: Bordeaux
- Matter: Non-staining material
- Shore Hardness: SH60



Variant reference:
1 20PU A

- Color: Blue
- Matter: Polyurethane
- Shore Hardness: SH60



Variant reference:
1 20SL A

- Color: Red food-grade CE certification
- Matter: Silicone
- Shore Hardness: SH60



Variant reference:
1 20SLT A

- Color: Translucent
- CE food certified
- Matter: Silicone
- Shore Hardness: SH60



Variant reference:
1 20SLV A

- Color: Green food certification CE
- Matter: Silicone
- Shore Hardness: SH60



Variant reference:
1 20NI A

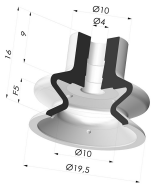
- Color: Black
- Matter: Nitrile
- Shore Hardness: SH50



Variant reference:
1 20NR A

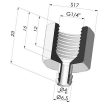
- Color: Gray
- Matter: Natural rubber
- Shore Hardness: SH50

Related products:



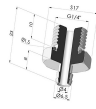
Bellows Suction Cup 1.5 folds Series 1, Ø 20 mm - With level on sealing lip

Product reference: 120-- A SPD



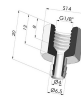
Separable Female Fitting G1/4"

Product reference: B



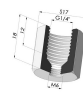
Separable Male Fitting G1/4"

Product reference: C



Separable Female Fitting G1/8"

Product reference: F



Adaptor - Female G1/4" - Female M6

Product reference: F14F6



Adaptor - Female 1/8G - Female M6

Product reference: F18F6



Separable Male Fitting G1/8"

Product reference: G



Adaptor - Male 1/4G - Female M6

Product reference: M14F6



Adaptor - Male 1/8G - Female M6

Product reference: M18F6



Separable Male Fitting M5

Product reference: M5C11



Separable Male Fitting M6

Product reference: M6C



Separable Male Fitting M5

Product reference: M5C

--