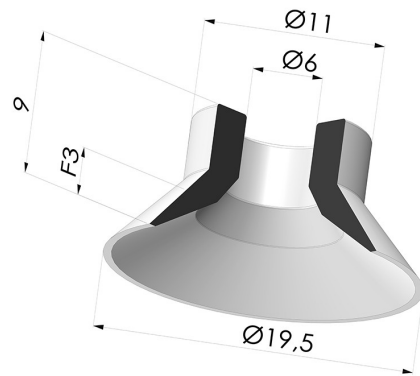


TECHNICAL INFORMATION

Arrow :	3 mm
Category :	Plates
Contact lip diameter :	19.5 mm
Height (in mm) :	9
Horizontal force :	13.5 N
inner barrel diameter :	6 mm
Number of bellows :	0.5 Bellows
Outer diameter :	19.5 mm
Range :	Suction cup
Series :	7
Shape :	Plate
Vertical force :	6.75 N



Variants:



Variant reference:

71 19CN A

- Color: Brown FDA food certified
 - Matter: Natural rubber
 - Shore Hardness: SH35



Variant reference:

71 19SLT A

- Color: Translucent
 - CE food certified
 - Matter: Silicone
- Shore Hardness: SH60