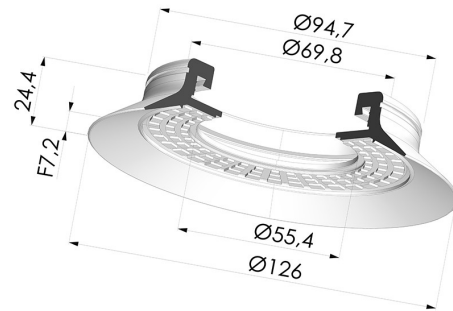


**TECHNICAL INFORMATION**

<b>Arrow :</b>	7 mm
<b>Category :</b>	Plates
<b>Contact lip diameter :</b>	127.2 mm
<b>Height (in mm) :</b>	24.4
<b>Height (in mm) :</b>	24.4
<b>Horizontal force :</b>	560 N
<b>inner barrel diameter :</b>	69.8 mm
<b>Number of bellows :</b>	0.5 Bellows
<b>Range :</b>	Suction cup
<b>Series :</b>	6S
<b>Shape :</b>	Plate
<b>Vertical force :</b>	280 N



**Variants:**



Variant reference:

**6S 130NR A**

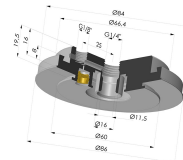
- Color: Gray
- Matter: Natural rubber
- Shore Hardness: SH50

**Related products:**



**Bellow-type seal series TIG Ø 25 mm**

Product reference: TIG 25 17



**Insert pour ventouse 6S 130**

Product reference: INS 6S 130