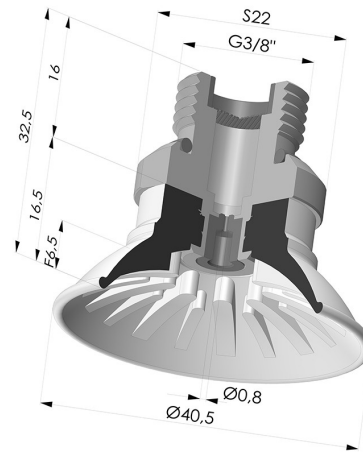


TECHNICAL INFORMATION

Arrow :	6.5 mm
Category :	Plates
Contact lip diameter :	40.5 mm
Height (in mm) :	32.5
Horizontal force :	54 N
inner barrel diameter :	Male G3/8"
Matter :	Polyurethane
Number of bellows :	0.5 Bellows
Range :	Suction cup
Series :	99
Shape :	Plate
Top diameter :	Male G3/8"
Vertical force :	27 N



Variants:



- Color: Red
- Matter: Polyurethane
- Shore Hardness: SH40



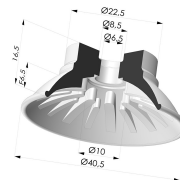
- Color: Green
- Matter: Polyurethane
- Shore Hardness: SH60

Related products:



Separable Male Fitting 3/8G - with Spray Nozzle

Product reference: 9M38-2-GIC



Flat suction cup series 99, Ø 40.5 mm

Product reference: 99- 40PU A